

## LEDinspect MINI 140 ESSENTIAL

### Inspection lights



#### 140 Lumen

Up to 140 lumens output - perfect for DIY around the home or in the car



#### Rechargeable

Rechargeable via USB-C



#### 180° Rotation

Multi positional with 180° flexible and magnetic base



#### Light is versatile

The OSRAM LEDinspect MINI 140 ESSENTIAL is a compact, rechargeable LED lamp designed for everyday use in workshops, garages, or around the home. With a maximum light output of up to 140 lumens, it provides bright and reliable illumination for a wide range of tasks.

Practical and easy to position, the lamp features a 180° flexible magnetic base for hands-free operation, along with an integrated torch function and energy-saving mode. It offers up to 2.5 hours of operating time on high output, with a charging time of approximately 2 hours.

Rechargeable via USB-C, the LEDinspect MINI 140 ESSENTIAL eliminates the need for replacement batteries and delivers lasting performance.

OSRAM also provides a 2-year guarantee\*

\*For precise conditions please refer to: [www.osram.com/am-guarantee](http://www.osram.com/am-guarantee)

# Product datasheet

## Technical data

### Product information

Application (Category and Product specific)	LED inspection lights
---	-----------------------

### General Product Information

Global order reference	LEDIL435ESN
------------------------	-------------

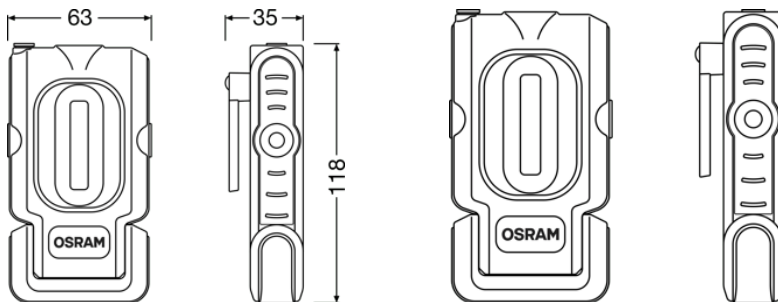
### Electrical Data

Nominal wattage	3 W
Nominal voltage	3.7 V

### Photometric Data

Nominal luminous flux	140 lm
Light color LED	White

### Physical Attributes & Dimensions



Product weight	96.00 g
Length	62.0 mm
Width	39.0 mm
Height	117.0 mm

### LED module information

Number of LEDs per module	2
---------------------------	---

### Colors & materials

Base color	Black / Orange
------------	----------------

### Lifetime Data

## Product datasheet

Guarantee	2 years
-----------	---------

### Additional product data

Type of Battery	Rechargeable
Number of included batteries	1
Battery	High-quality lithium-ion battery

### Capabilities

Technology	LED
------------	-----

### Logistical data

Watt hour per battery	3.33
-----------------------	------

### Environmental & Regulatory Information



Information according Art. 33 of EU Regulation (EC) 1907/2006 (REACH)	
Declaration no. in SCIP database	In work

### Logistical Data

Product code	Product description	Packaging unit (Pieces/Unit)	Dimensions (length x width x height)	Volume	Gross weight
4062172424073	INSPECTION LAMP	Unpacked 1	62 mm x 39 mm x 117 mm	0.28 dm <sup>3</sup>	96.00 g
4062172424097	INSPECTION LAMP	Shipping carton box 48	470 mm x 250 mm x 300 mm	35.25 dm <sup>3</sup>	6064.00 g

The mentioned product code describes the smallest quantity unit which can be ordered. One shipping unit can contain one or more single products. When placing an order, for the quantity please enter single or multiples of a shipping unit.

### Download Data

File
 User instruction Operating instructions LEDIL435ESN LEDinspect MINI 140
 User instruction GPRS_Safety symbols instructions

### Legal advice

Application advice:

## Product datasheet

For more detailed application information and graphics please see product datasheet and the user instruction.\* for precise conditions please refer to: [www.osram.com/am-guarantee](http://www.osram.com/am-guarantee)

### Application advice

For more detailed application information and graphics please see product datasheet.

### Disclaimer

Subject to change without notice. Errors and omission excepted. Always make sure to use the most recent release.

The OSRAM logo is displayed in a bold, orange, sans-serif font.